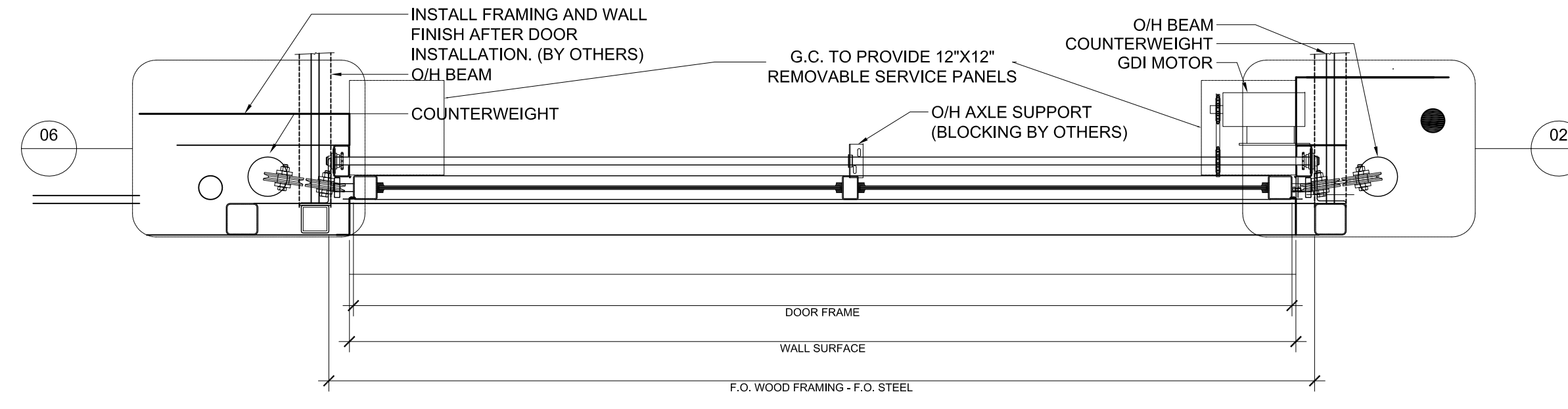
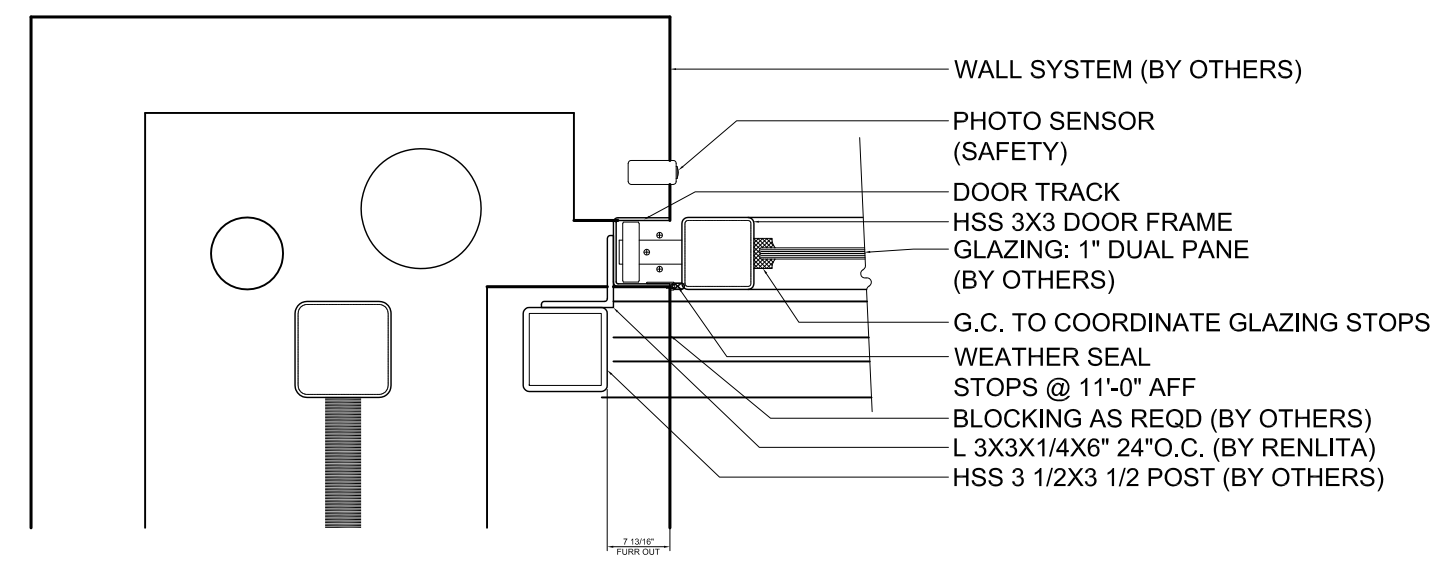
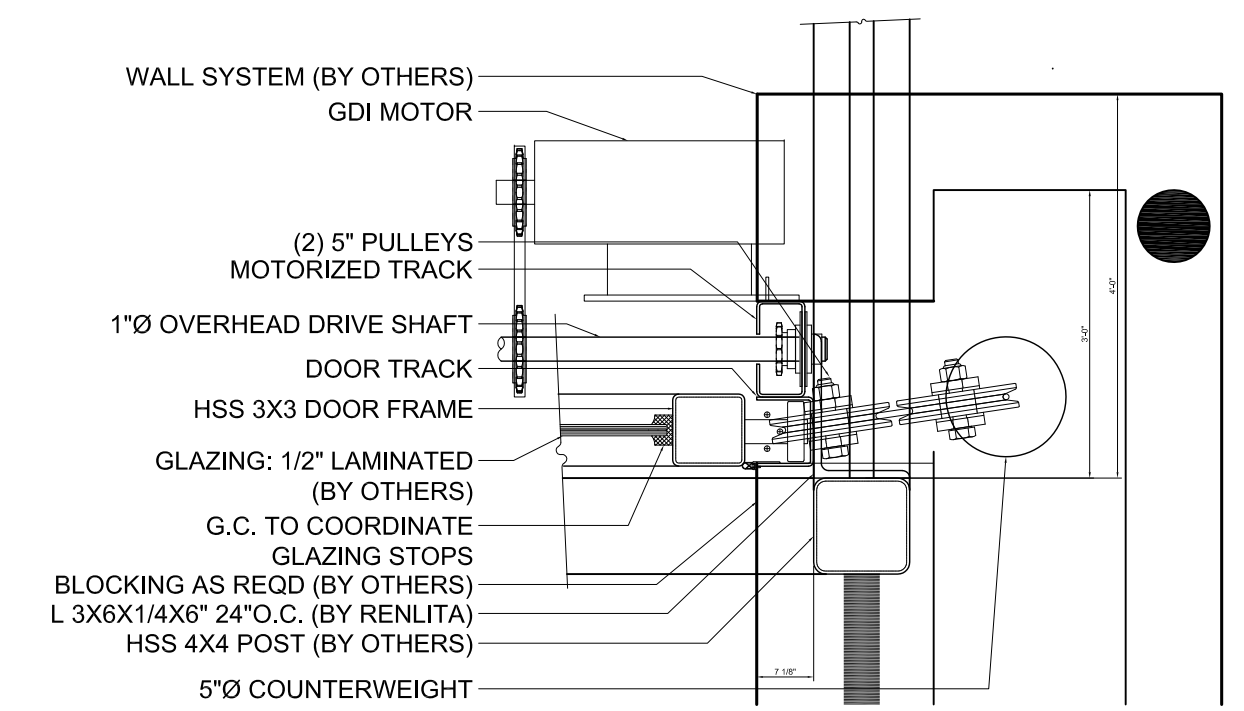
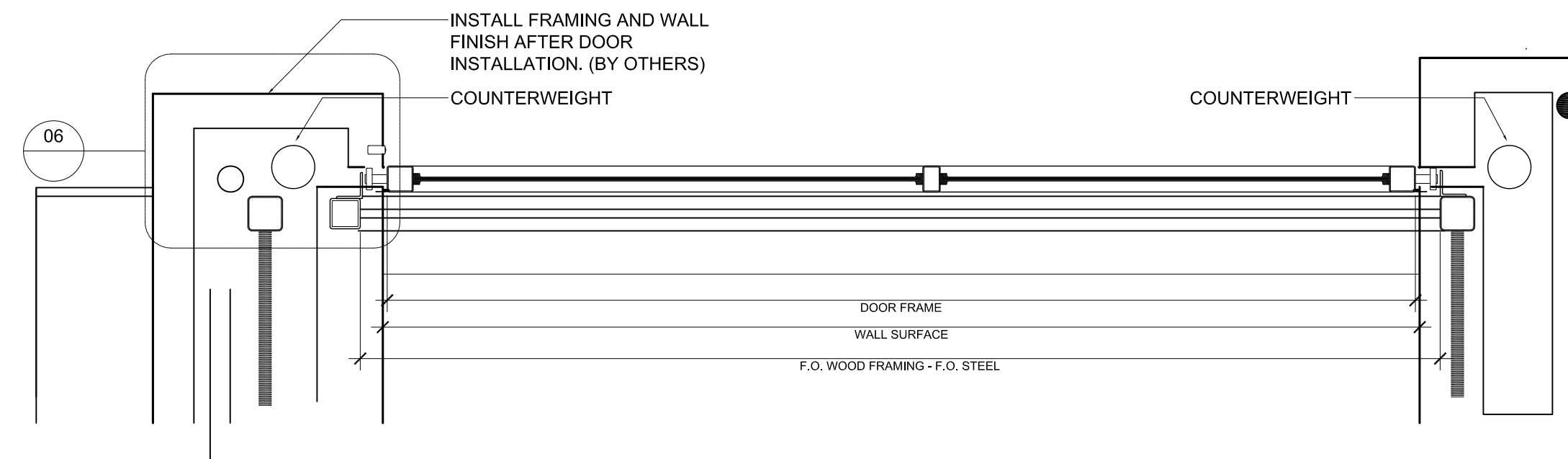


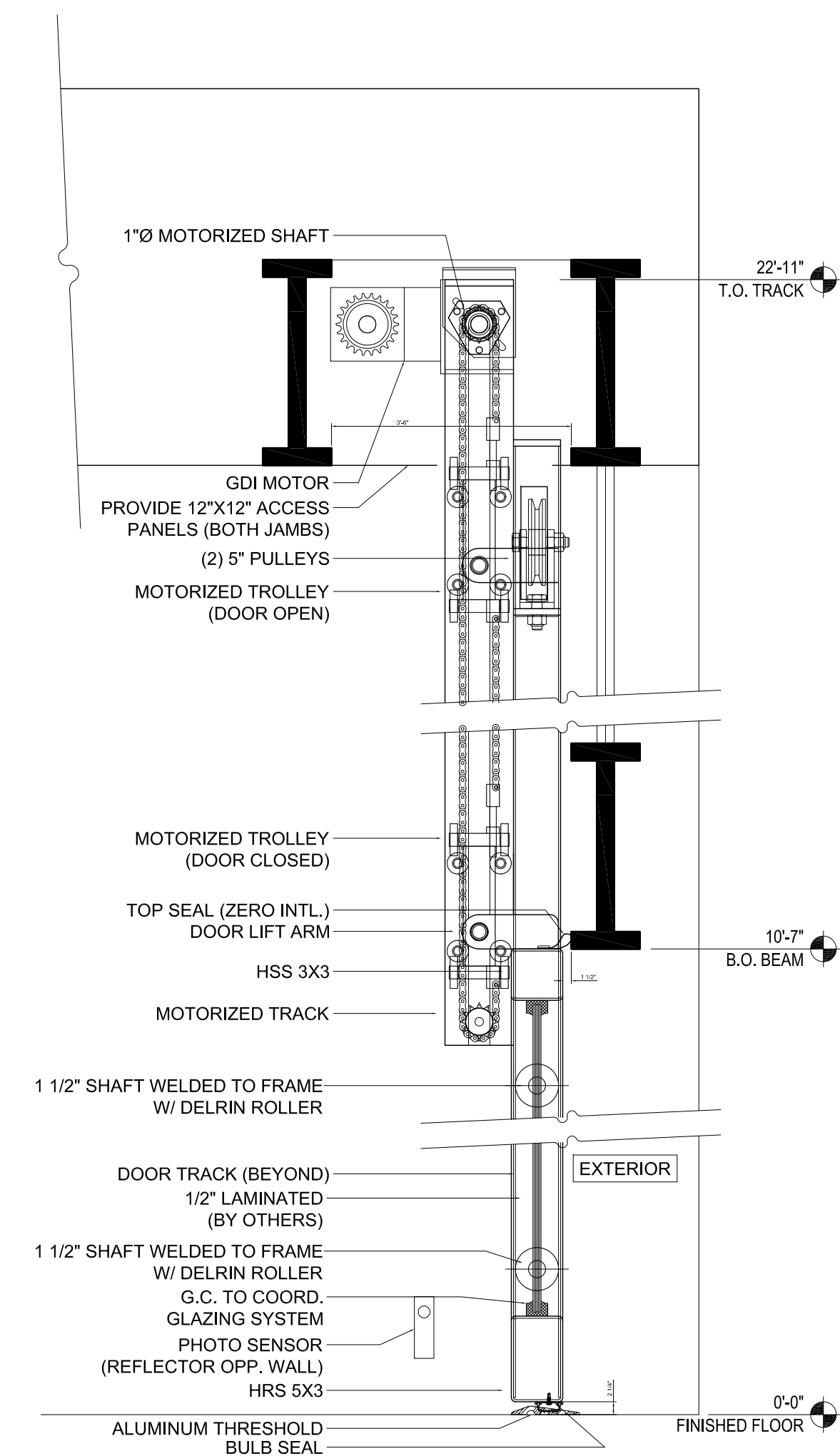
06 JAMB DETAIL
 SCALE: 1 1/2" = 1'



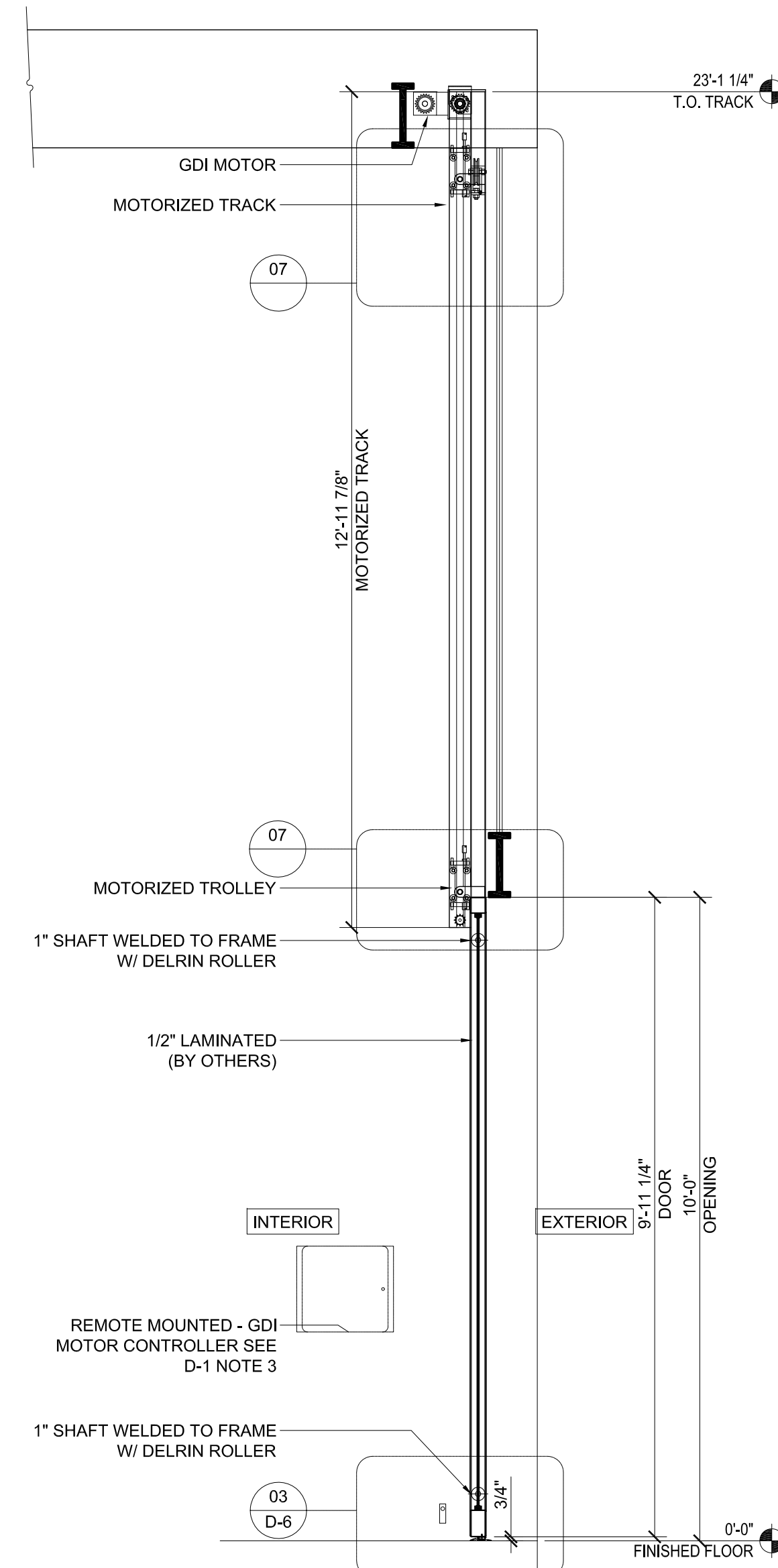
04 PLAN
 SCALE: 3/4" = 1'



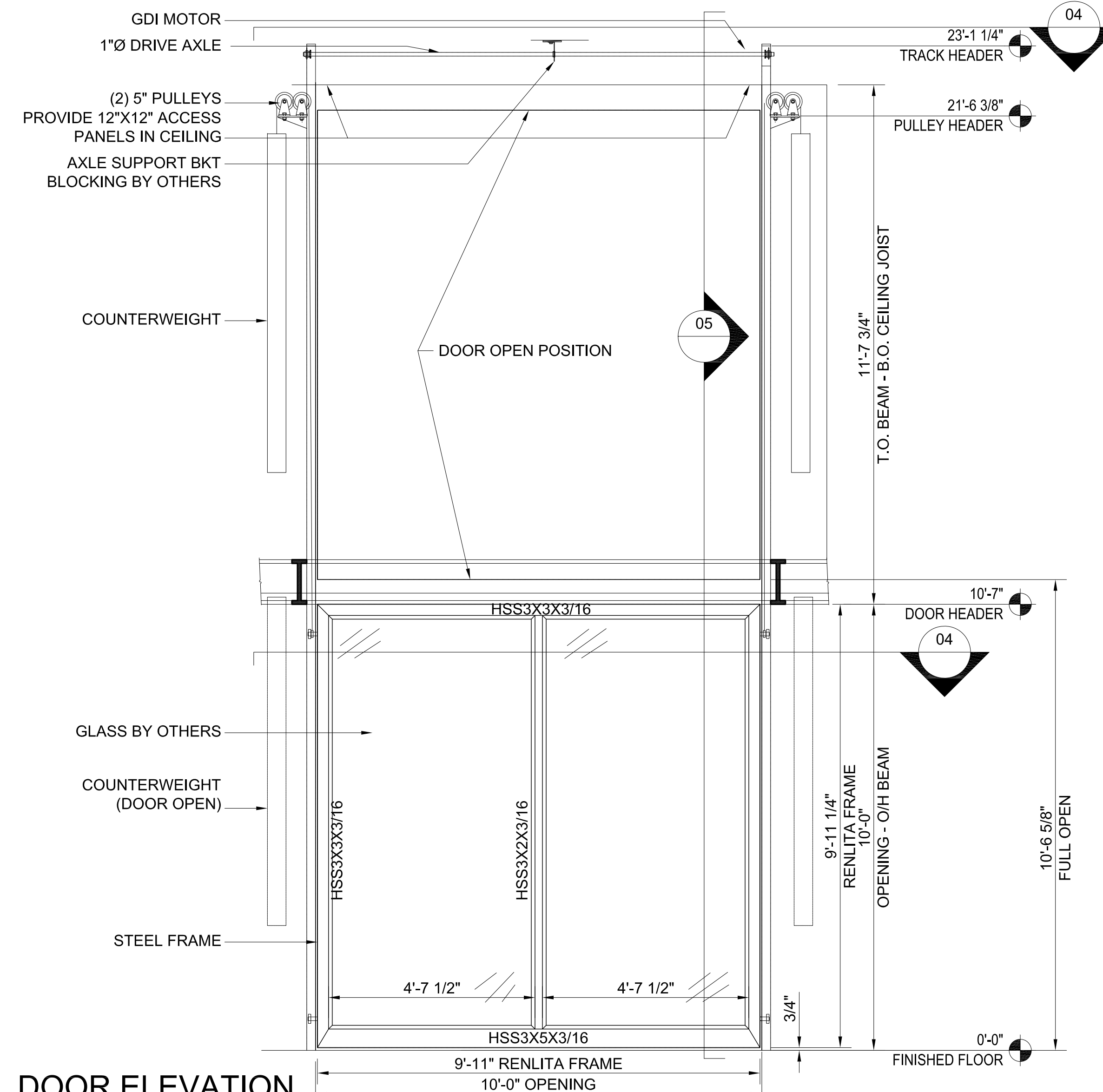
02 JAMB DETAIL
 SCALE: 1 1/2" = 1'



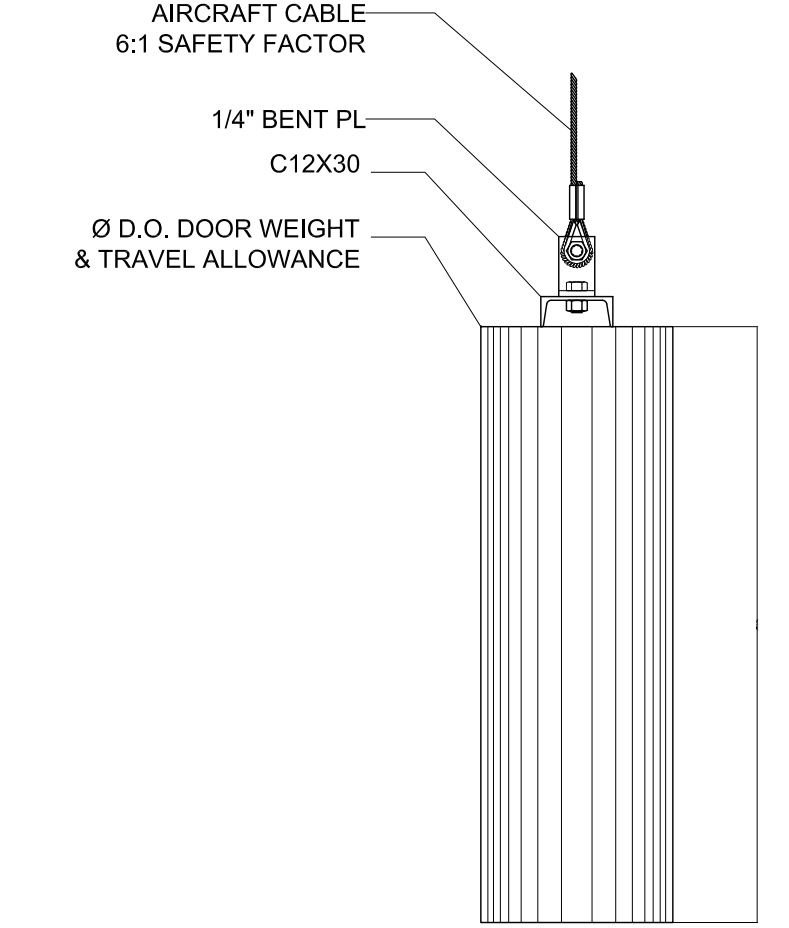
07 DOOR HEAD DETAIL
 SCALE: 1 1/2" = 1'



05 DOOR SECTION
 SCALE: 1/2" = 1'



03 DOOR ELEVATION
 SCALE: 1/2" = 1'



01 COUNTERWEIGHT TYP
 SCALE: 1-1/2" = 1'

GLAZING OPTIONS:

- 1/4" to 1" POLYCARBONATE
- 1/4" to 1" LAMINATED
- 1/4" to 1" TEMPERED
- 1" INSULATED

COLOR / FINISH OPTIONS:

- CUSTOM COLOR MATCHING
- CUSTOM CLADDING
- POWDER COATING
- GALVANIZED

"DISCLAIMER"
 THE DESIGNS AND DETAILS HEREIN ARE THE PROPERTY OF SMOKE GUARD CALIFORNIA. USE IS GRANTED
 FOR THE SOLE PURPOSE OF INTEGRATION OF OUR PRODUCT INTO YOUR PROJECT. DRAWINGS ARE
 TYPICAL IN NATURE AND FOR REFERENCE ONLY, AND SHOULD BE REGARDED AS SUCH. DUE TO THE
 CUSTOM NATURE OF OUR PRODUCT SPECIFIC CONFIGURATIONS AND DIMENSIONS MAY VARY.

	Project: RISE
	Project No.:
	Client:
	Issue Date:
	Latest Rev. Date:
Drawn By:	RISE
	Phone: 877-345-1276 Fax: 877-342-8938 www.sgcal.com
1915 Mark Ct #100 Concord CA 94520	Drawing No.: of